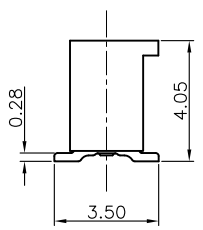
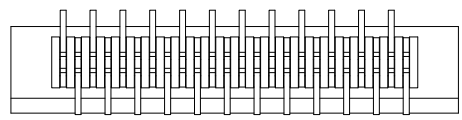
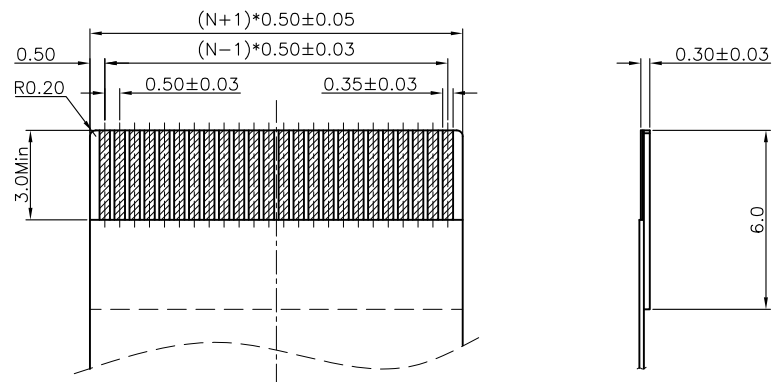
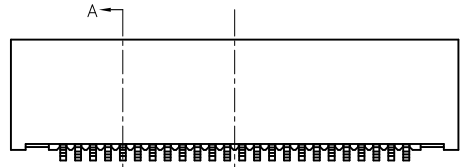


SECTION A-A
SCALE 1:1

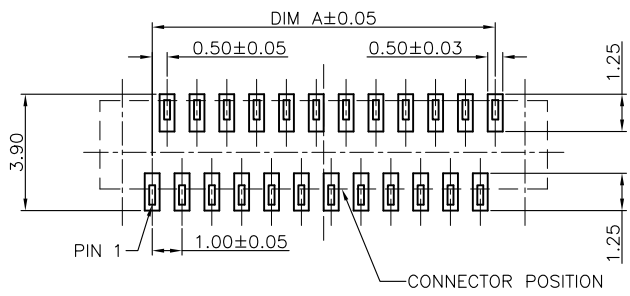


RoHS
Compliant



RECOMMENDED FPC/FFC DIMENSION

CKTS	DIM A	DIM B	DIM C
6	2.50	3.60	6.00
7	3.00	4.10	6.50
8	3.50	4.60	7.00
9	4.00	5.10	7.50
10	4.50	5.60	8.00
11	5.00	6.10	8.50
12	5.50	6.60	9.00
13	6.00	7.10	9.50
14	6.50	7.60	10.00
15	7.00	8.10	10.50
16	7.50	8.60	11.00
17	8.00	9.10	11.50
18	8.50	9.60	12.00
19	9.00	10.10	12.50
20	9.50	10.60	13.00
21	10.00	11.10	13.50
22	10.50	11.60	14.00
23	11.00	12.10	14.50
24	11.50	12.60	15.00
25	12.00	13.10	15.50
26	12.50	13.60	16.00
27	13.00	14.10	16.50
28	13.50	14.60	17.00
29	14.00	15.10	17.50
30	14.50	15.60	18.00
31	15.00	16.10	18.50
32	15.50	16.60	19.00
33	16.00	17.10	19.50
34	16.50	17.60	20.00
35	17.00	18.10	20.50
36	17.50	18.60	21.00
37	18.00	19.10	21.50
38	18.50	19.60	22.00
39	19.00	20.10	22.50
40	19.50	20.60	23.00
41	20.00	21.10	23.50
42	20.50	21.60	24.00
43	21.00	22.10	24.50
44	21.50	22.60	25.00
45	22.00	23.10	25.50
46	22.50	23.60	26.00
47	23.00	24.10	26.50
48	23.50	24.60	27.00
49	24.00	25.10	27.50
50	24.50	25.60	28.00

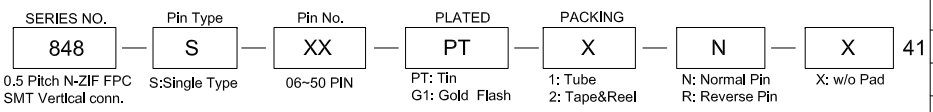


RECOMMENDED P.C.B PATTERN LAYOUT

REV.	REVISION RECORD	DATE	General Tolerance	
A	Original	05/09/13*	LINEAR 0.0 ±0.35	ANGLE ±3°
B	Revised	09/23/13*	0.00 ±0.20	
C	Revised	03/24/14**	UNIT:mm	
D	Revised	07/21/16**	A4	NAME DATE
			APPROVED	SUNNY
			DESIGNER	TED
			DRAWN	WING



ORDER INFORMATION



TITLE: 0.5mm Pitch Non-ZIF FPC SMT Vertical Normal Contact Without Pad

DWG.NO: 848SXXPTXNX-41 REV. D

SCALE 1:1 SHEET 1 OF 1